

## FCL IN-LINE SUCTION FILTRES WITH PAPER CARTRIDGE



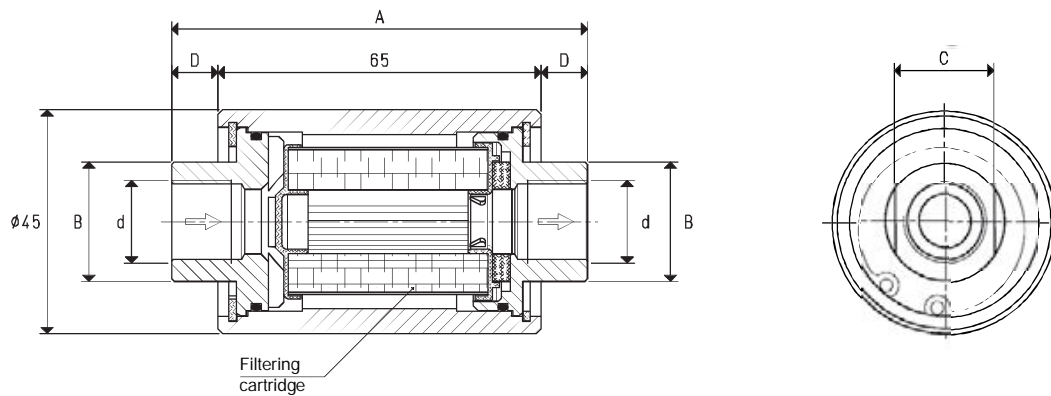
These small in-line filters retain impurities and very fine dust, interfering with the capacity in a negligible manner. Thanks to their reduced size, they can be directly installed onto vacuum piping, close to the services (vacuum cups, vacuum clamping systems etc.) for a fractionated filtration and a better visual control of all the plant suction points. They are composed of a cylindrical transparent plexiglas body closed by two anodised aluminium flanges kept in place by seeger rings, where all the threaded male or female connections and seals are located. Inside there is a filtering cartridge with a filtering degree equal to  $7\ \mu$ , which is made with a special treated paper that is pleated to increase the filtering surface. The filters can be inspected by simply removing one of the flanges. Due to the paper filtering element, these filters are not recommended in presence of water or oil vapours or condensations.

### Technical features

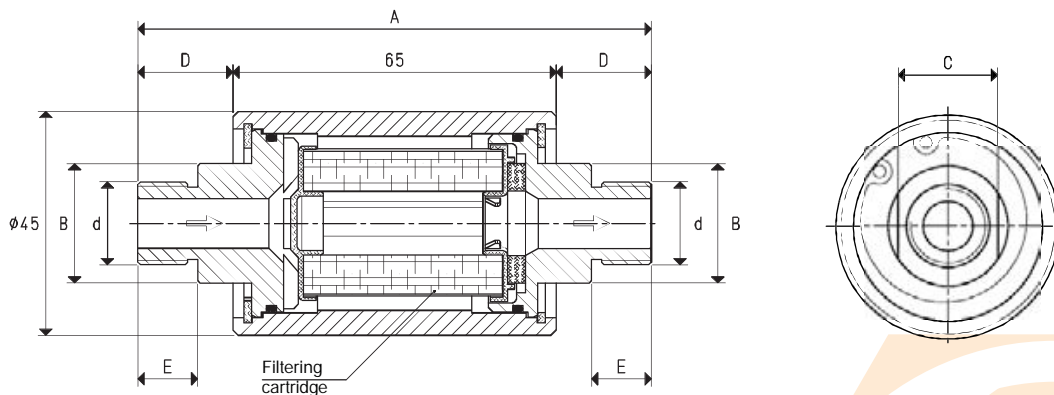
Working pressure: from 0.5 to 3000 mbar abs.

Fluid temperature: from  $-20$  to  $+60\ ^\circ\text{C}$

Filtering degree:  $7\ \mu$



Art.	d	A	B	C	D	Max capacity	Spare cartridge art.	Spare sealing kit art.	Weight
	$\emptyset$		$\emptyset$			cum/h			g
<b>FCL 1</b>	G1/4"	79.2	20.0	17	7.1	7.5	00 FCL 03	00 KIT FCL 1	120
<b>FCL 2</b>	G3/8"	83.6	24.0	20	9.3	20	00 FCL 03	00 KIT FCL 1	136
<b>FCL 3</b>	G1/2"	89.6	26.5	24	12.3	25	00 FCL 03	00 KIT FCL 1	152



Art.	d	A	B	C	D	E	Max capacity	Spare cartridge art.	Spare sealing kit art.	Weight
	$\emptyset$		$\emptyset$				cum/h			g
<b>FCL 1 M</b>	G1/4"	103.2	20.0	17	19.1	12	7.5	00 FCL 03	00 KIT FCL 1	122
<b>FCL 2 M</b>	G3/8"	103.2	24.0	20	19.1	12	20	00 FCL 03	00 KIT FCL 1	138
<b>FCL 3 M</b>	G1/2"	113.6	26.5	24	24.3	15	25	00 FCL 03	00 KIT FCL 1	154

Conversion ratio: inch =  $\frac{\text{mm}}{25.4}$ ; pounds =  $\frac{\text{g}}{453.6}$ ; Kg =  $0.4536$

GAS-NPT thread adapters available at page 1.117

3D drawings available at [www.vuototecnica.net](http://www.vuototecnica.net)

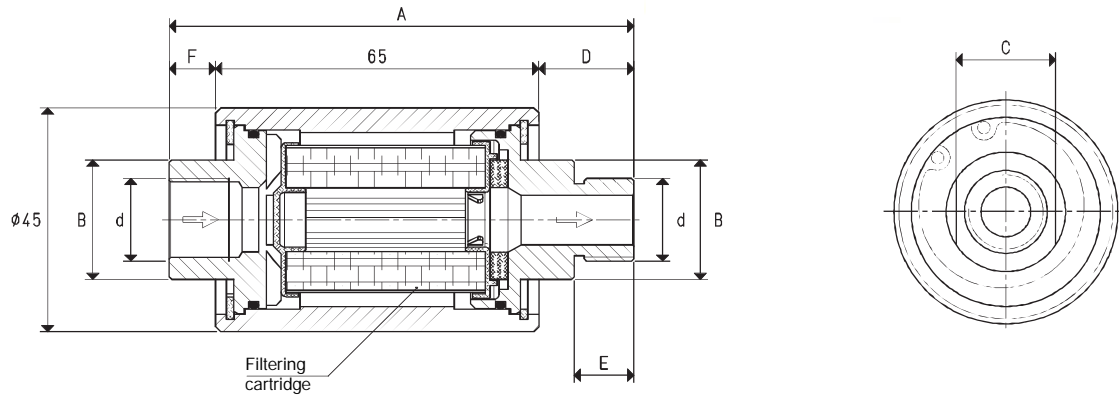
5.01



5



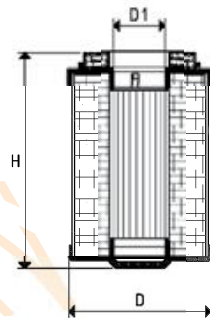
## FCL IN-LINE SUCTION FILTRES WITH PAPER CARTRIDGE



Art.	d	A	B	C	D	E	F	Max capacity	Spare cartridge	Spare sealing kit	Weight
	Ø		Ø					cum/h	art.	art.	g
<b>FCL 1 MF</b>	G1/4"	91.2	20.0	17	19.1	12	7.1	7.5	00 FCL 03	00 KIT FCL 1	120
<b>FCL 2 MF</b>	G3/8"	93.4	24.0	20	19.1	12	9.3	20	00 FCL 03	00 KIT FCL 1	136
<b>FCL 3 MF</b>	G1/2"	101.6	26.5	24	24.3	15	12.3	25	00 FCL 03	00 KIT FCL 1	152

## PAPER FILTERING CARTRIDGES FOR FCL FILTRES

The cartridges described below are suited for FCL filtres.  
 They are made with a special treated paper with a filtering degree equal to 7 µ, which is pleated in order to increase its surface and wrapped on two flanges in plastic material.  
 They are recommended for retaining impurities and fine dust, but not in presence of water or oil vapours or condensations.



Art.	Filtre art.	D	D1	H	Filtering degree
		Ø	Ø		micron
<b>00 FCL 03</b>	FCL 1 - FCL 2 - FCL 3 FCL 1 M - FCL 2 M - FCL 3 M FCL 1 MF - FCL 2 MF - FCL 3 MF	31	10	47	5 ÷ 7

3D drawings available at [www.vuototecnica.net](http://www.vuototecnica.net)

5.02

Conversion ratio: inch =  $\frac{\text{mm}}{25.4}$ , pounds =  $\frac{\text{g}}{453.6} = \frac{\text{Kg}}{0.4536}$

GAS-NPT thread adapters available at page 1.117



5

