

FB SUCTION FILTRES WITH METAL CARTRIDGE



Preventing impurities from reaching the vacuum pump is fundamental to guarantee the correct operation and long duration. This range of filtres, to be placed on the vacuum pump suction inlet or on the plant pipeline, has been designed for this purpose. Their simple and rational structure features threaded connections for the installation and a lid, very easy to open, to allow easily cleaning the filtering cartridge. The lids are made with die-cast aluminium, as are the containers, except for the models FB 5, FB 10 e FB 20 which are in transparent plastic material (cellulose acetate), particularly resistant to shocks.

The standard filtering cartridges are in profiled stainless steel mesh, with a filtering degree equal to 44 μ . Upon request, they can be supplied with a filtering degree equal to 100 or 300 μ . The capacity of these filtres ranges from 5 to 300 cum/h.

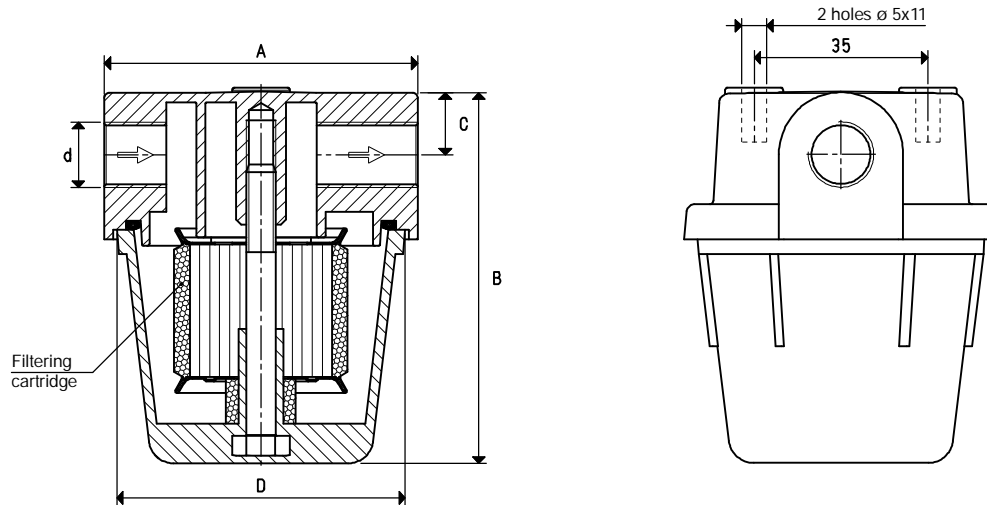
Technical features

Working pressure: from 0.5 to 3000 mbar abs.

Fluid temperature: from -20 to +90 °C for filtres with aluminium container from -20 to +50 °C for filtres with containers in transparent plastic material

Filtering degree: 44 μ

5



Art.	d	A	B	C	D	Max capacity	Spare cartridge art.	Spare sealing kit art.	Weight
FB 5	\emptyset G1/4"	61	74.5	12.5	\emptyset 59	5 cum/h	00 FB 03	00 KIT FB5	140 g

Conversion ratio: inch = $\frac{\text{mm}}{25.4}$; pounds = $\frac{\text{g}}{453.6} = \frac{\text{Kg}}{0.4536}$

GAS-NPT thread adapters available at page 1.117

3D drawings available at www.vuototecnica.net

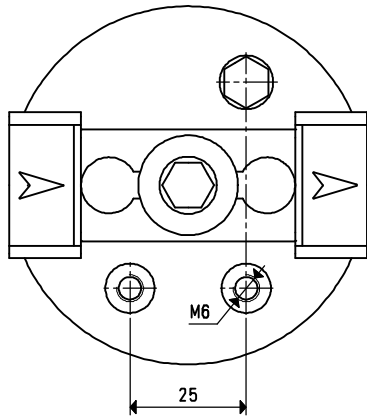
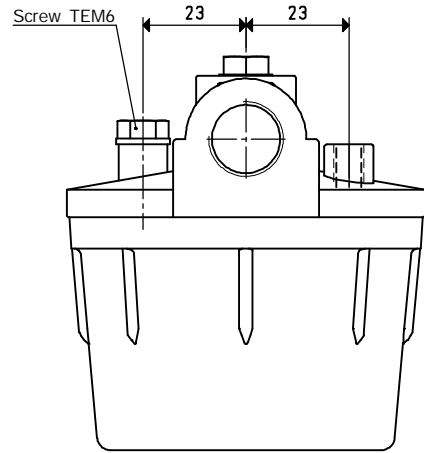
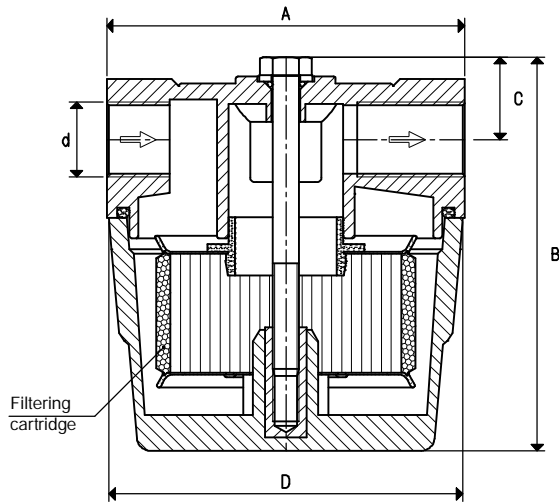
5.03



5



FB SUCTION FILTERS WITH METAL CARTRIDGE



3D drawings available at www.vuototecnica.net

Art.	d	A	B	C	D	Max capacity	Spare cartridge art.	Spare sealing kit art.	Weight
FB 10	∅ G3/8"	81	87	17	79	cum/h 10	00 FB 13	00 KIT FB10	g 258

5.04

Conversion ratio: inch = $\frac{\text{mm}}{25.4}$ pounds = $\frac{\text{g}}{453.6} = 0.4536$ Kg

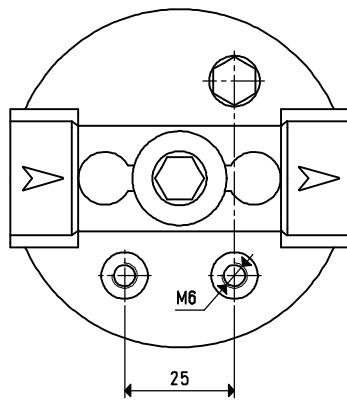
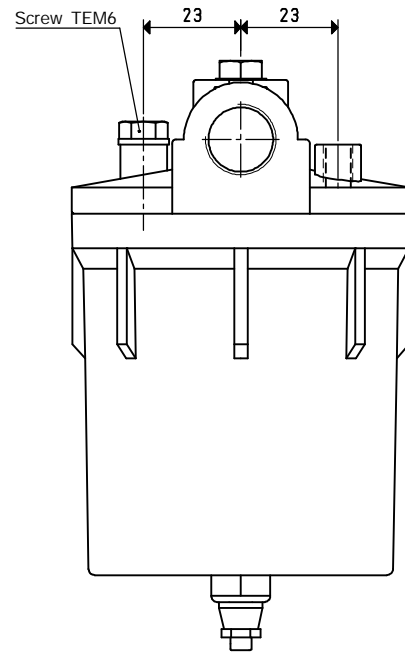
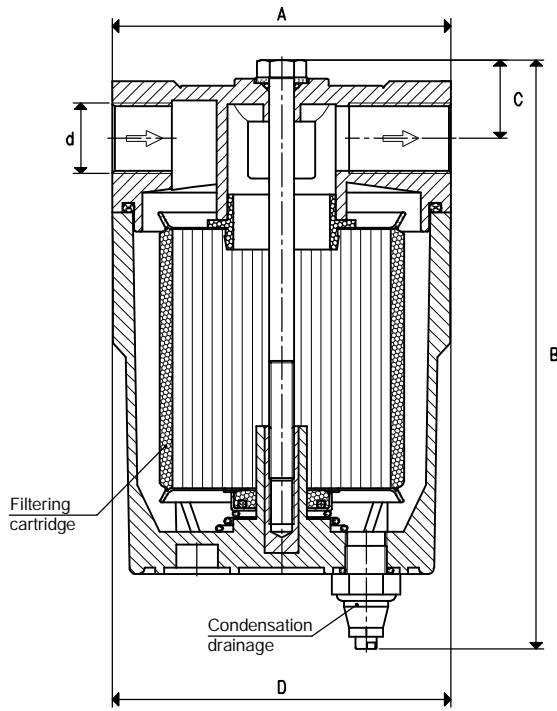
GAS-NPT thread adapters available at page 1.117



5



FB SUCTION FILTRES WITH METAL CARTRIDGE



5

Art.	d	A	B	C	D	Max capacity	Spare cartridge art.	Sealing kit and small items art.	Weight
FB 20	∅ G1/2"	81	116	17	∅ 79	cum/h 20	00 FB 22	00 KIT FB20	g 312

Conversion ratio: inch = $\frac{\text{mm}}{25.4}$; pounds = $\frac{\text{g}}{453.6}$; Kg = $\frac{\text{g}}{0.4536}$

GAS-NPT thread adapters available at page 1.117

3D drawings available at www.vuototecnica.net

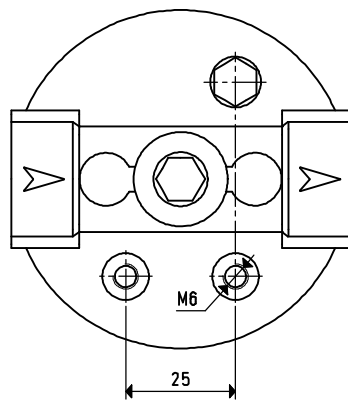
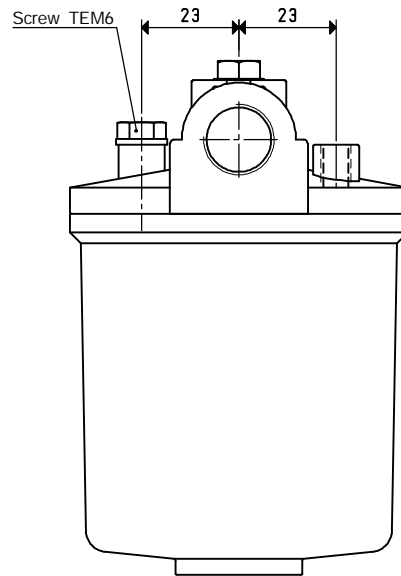
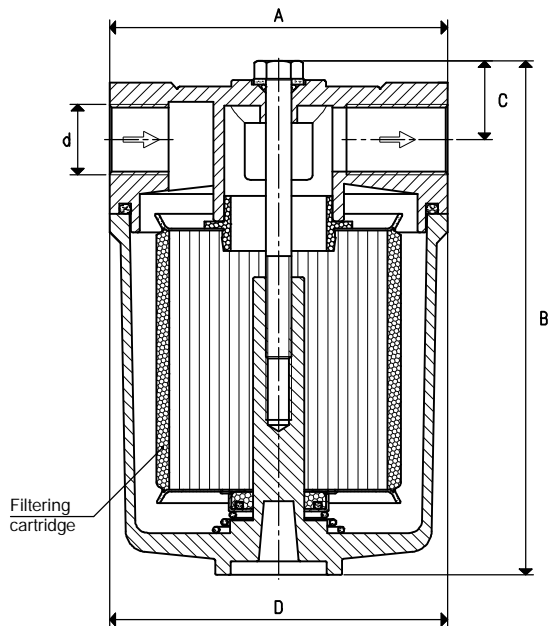
5.05



5



FB SUCTION FILTERS WITH METAL CARTRIDGE



3D drawings available at www.vuototecnica.net

Art.	d	A	B	C	D	Max capacity	Spare cartridge art.	Sealing kit and small items art.	Weight
FB 20 A	Ø G1/2"	81	121	17	Ø 81	cum/h 20	00 FB 22	00 KIT FB20	g 394

5.06

Conversion ratio: inch = $\frac{\text{mm}}{25.4}$ pounds = $\frac{\text{g}}{453.6} = 0.4536$ Kg

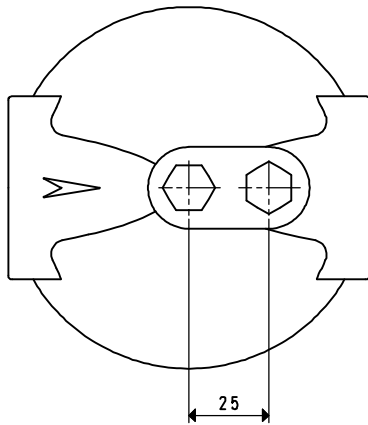
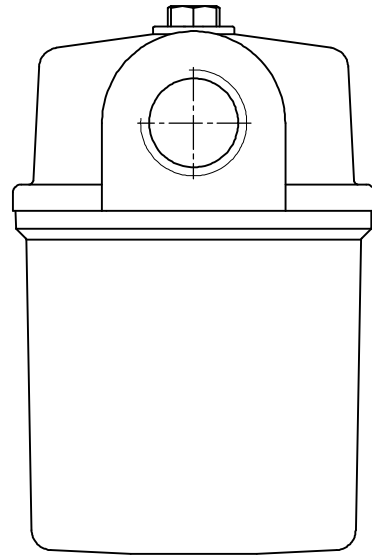
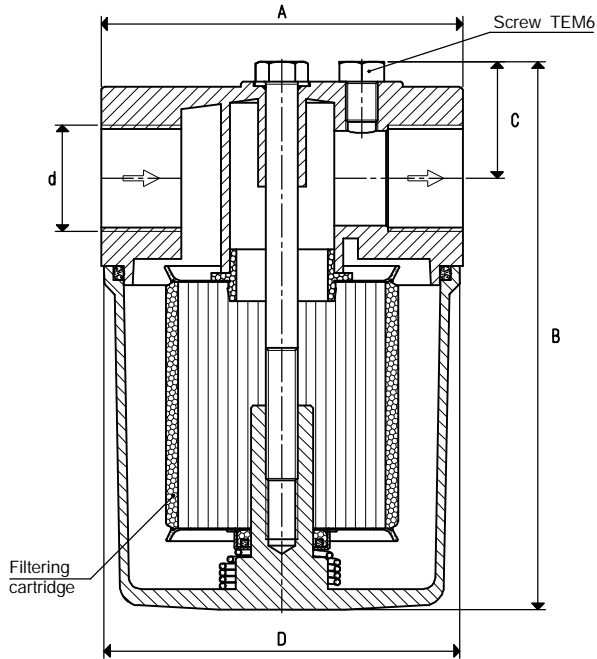
GAS-NPT thread adapters available at page 1.117



5



FB SUCTION FILTRES WITH METAL CARTRIDGE



5

Art.	d	A	B	C	D	Max capacity	Spare cartridge art.	Sealing kit and small items art.	Weight
FB 25	∅ G3/4"	96	144	31	∅ 90	cum/h 40	00 FB 22	00 KIT FB 25	g 594

Conversion ratio: inch = $\frac{\text{mm}}{25.4}$; pounds = $\frac{\text{g}}{453.6}$ = $\frac{\text{Kg}}{0.4536}$

GAS-NPT thread adapters available at page 1.117

3D drawings available at www.vuototecnica.net

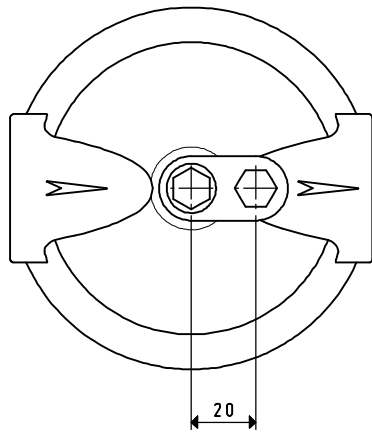
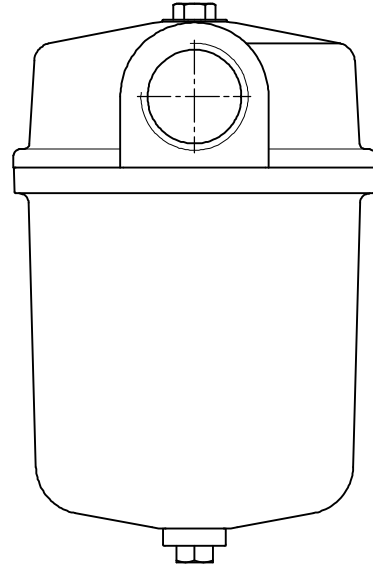
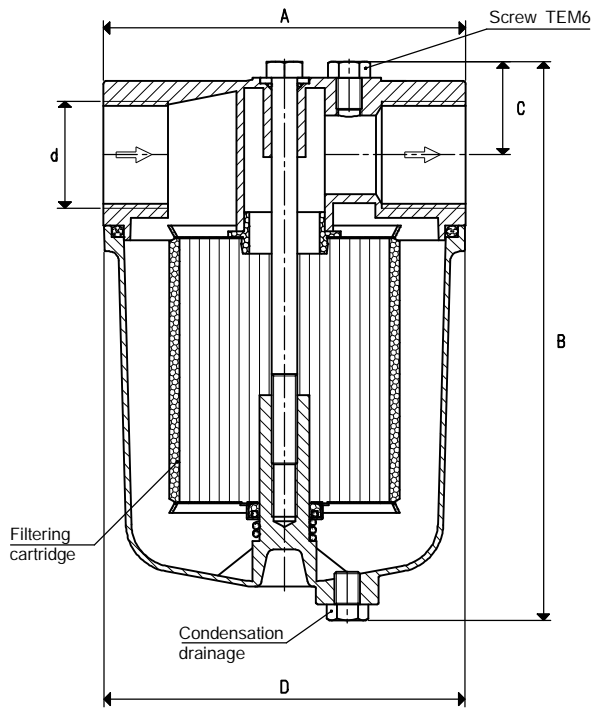
5.07



5



FB SUCTION FILTERS WITH METAL CARTRIDGE



3D drawings available at www.vuototecnica.net

Art.	d	A	B	C	D	Max capacity	Spare cartridge art.	Sealing kit and small items art.	Weight
	∅				∅	cm ³ /h			g
FB 30	G1"	120	181	31	112	70	00 FB 34	00 KIT FB 30	758

5.08

Conversion ratio: inch = $\frac{\text{mm}}{25.4}$ pounds = $\frac{\text{g}}{453.6} = 0.4536$ Kg

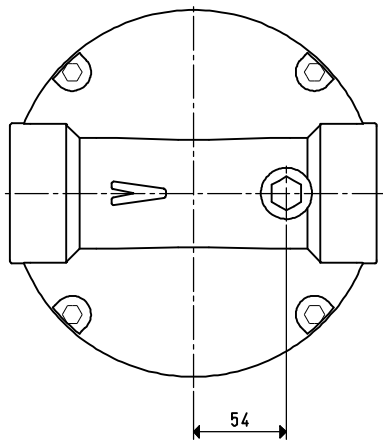
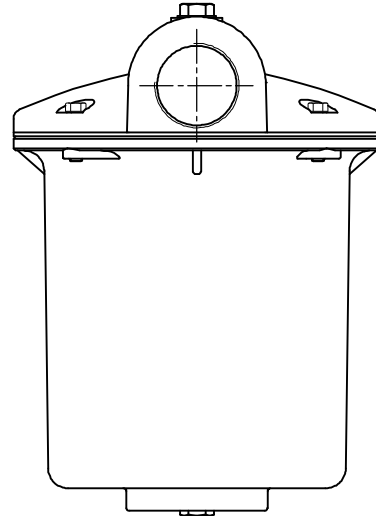
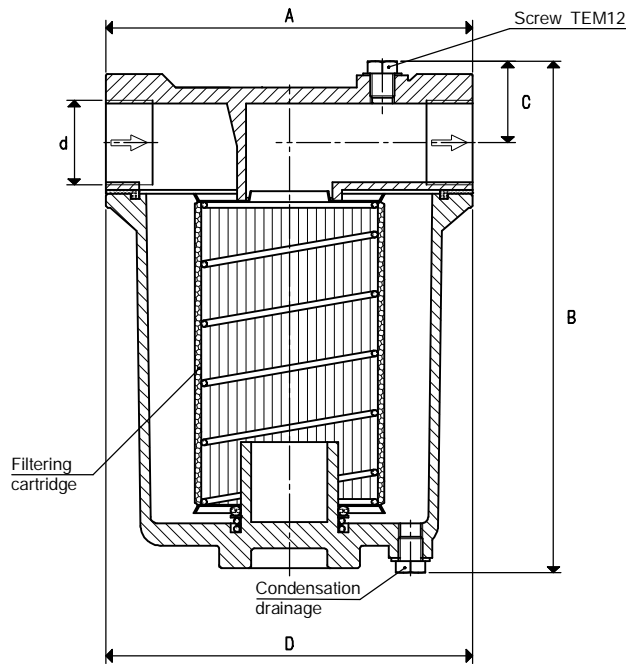
GAS-NPT thread adapters available at page 1.117



5



FB SUCTION FILTRES WITH METAL CARTRIDGE



5

Art.	d	A	B	C	D	Max capacity	Spare cartridge art.	Sealing kit and small items art.	Weight
	∅				∅	cum/h			Kg
FB 40	G1" 1/4	190	255	39	182	150	00 FB 45	00 KIT FB 40	3.06
FB 50	G1" 1/2	190	255	39	182	200	00 FB 45	00 KIT FB 50	2.99

3D drawings available at www.vuototecnica.net

Conversion ratio: inch = $\frac{\text{mm}}{25.4}$; pounds = $\frac{\text{g}}{453.6}$ = $\frac{\text{Kg}}{0.4536}$

GAS-NPT thread adapters available at page 1.117

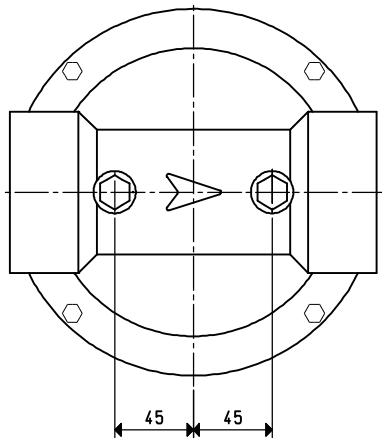
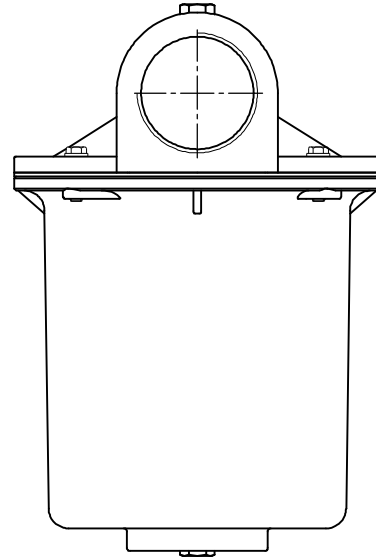
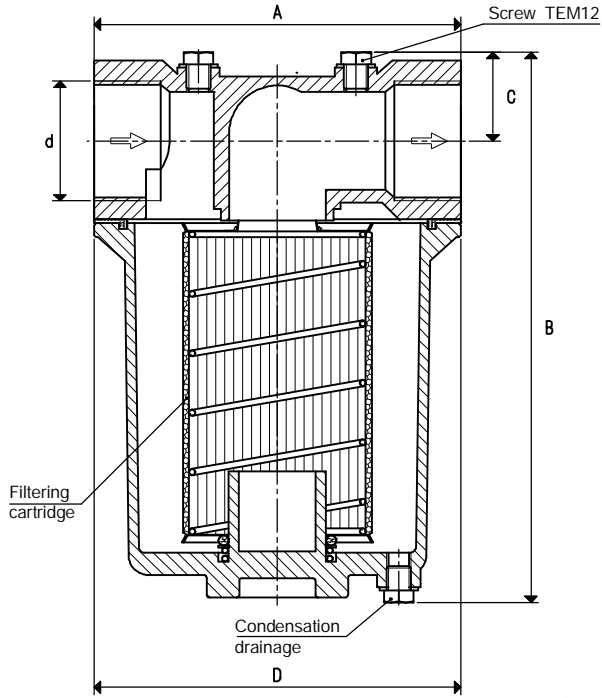
5.09



5



FB SUCTION FILTRES WITH METAL CARTRIDGE



3D drawings available at www.vuototecnica.net

Art.	d	A	B	C	D	Max capacity	Spare cartridge art.	Sealing kit and small items art.	Weight
FB 60	∅ G2"	182	260	42	182	cum/h 300	00 FB 52	00 KIT FB 60	Kg 3.18

5.10

Conversion ratio: $\text{inch} = \frac{\text{mm}}{25.4}$, $\text{pounds} = \frac{\text{g}}{453.6} = \frac{\text{Kg}}{0.4536}$

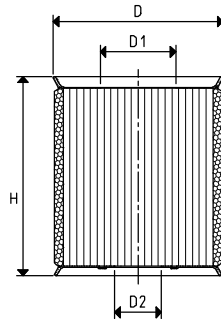
GAS-NPT thread adapters available at page 1.117



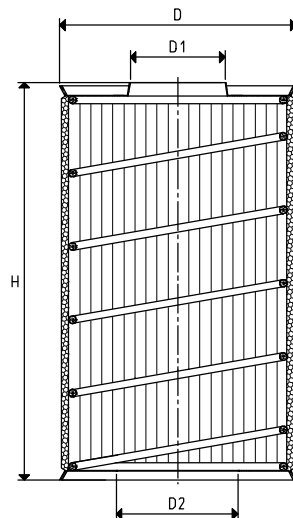
STAINLESS STEEL MESH FILTERING CARTRIDGES FOR FB FILTERS

The cartridges described in this page are suited for FB suction filters. The standard ones are made with profiled stainless steel mesh with a filtering degree equal to 44 µ. Upon request, the same cartridges can be supplied with a filtering degree equal to 100 or 300 µ.

They are recommended for retaining impurities even in presence of water and oil vapours or condensations, but not for retaining fine and impalpable dust.



Art.	Filtre art.	D Ø	D1 Ø	D2 Ø	H	Filtering degree micron
00 FB 03	FB 5	35	6	10.0	34	44
00 FB 13	FB 10	58	16	25.5	34	44
00 FB 16	FB 20 - FB 25	58	16	25.5	67	44
00 FB 34	FB 30	74	16	25.5	67	44



Art.	Filtre art.	D Ø	D1 Ø	D2 Ø	H	Filtering degree micron
00 FB 45	FB 40 - FB 50	95	39	49	160	44
00 FB 52	FB 60	95	49	49	160	44

Note: All the cartridges can be supplied with a 100 or 300 micron filtering degree, upon request.

Conversion ratio: inch = $\frac{\text{mm}}{25.4}$, pounds = $\frac{\text{g}}{453.6} = \frac{\text{Kg}}{0.4536}$

GAS-NPT thread adapters available at page 1.117

3D drawings available at www.vuototecnica.net

5.11



5

