

## VACUUM ADJUSTMENT VALVES

When these valves reach a certain precalibrated vacuum degree, they introduce atmospheric air into the circuit to prevent the increase of the set value and to keep it constant.

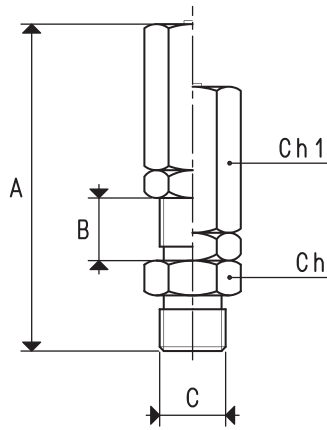
They can be used as regulators only on circuits having only one vacuum pump and only one use (or more uses but all working at the same vacuum degree)

In most cases they are used as safety valves on non-commissioned tanks or containers at high vacuum levels and on vacuum cup lifting systems.

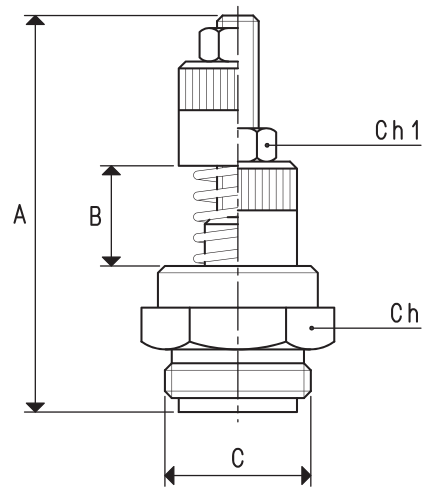
The vacuum level is adjusted by rotating the knurled bush in both directions. The fine thread with which the valve is provided ensures a very accurate calibration.



3



Art. 04 01 10



Art. 04 02 10  
04 03 10  
04 04 10

Art.	Vacuum adj. mbar abs.	A	B	C Ø	Ch	Ch1	Max. capacity cum/h	Weight g
04 01 10	670 ÷ 1	45	6.5	G1/8"	12	12	4	30
04 02 10	670 ÷ 1	57	15.0	G1/2"	24	10	20	78
04 03 10	670 ÷ 1	60	12.0	G3/4"	30	17	40	150
04 04 10	670 ÷ 1	65	12.0	G1"	35	17	70	210



Conversion ratio: inch =  $\frac{mm}{25.4}$  pounds =  $\frac{g}{453.6}$  =  $\frac{Kg}{0.4536}$

GAS-NPT thread adapters available at page 1.117

3D drawings available at [www.vuototecnica.net](http://www.vuototecnica.net)

