

# SOLENOID VALVE ACCESSORIES AND SPARE PARTS

## Electric coils

Electric coils are windings of copper wire on nylon coils fully plasticised in synthetic resin which activate the electromagnetic actuators with which the solenoid valves are provided. Crossed by an electric current, these coils generate a magnetic field which activates the mobile core inside the actuators; the mobile core features a built-in or fixed shutter which cause the valve commutation by opening and closing their orifices.

The standard electric coil is fully plasticised with synthetic resin, tight execution, insulation class F (up to 155 °C) compliant with VDE standards, with 6.3 mm 3-terminal electrical connections in compliance with EN 175301-803 (ex DIN 43650). Protection degree IP 54; IP 65 with inserted connector.

Allowed tolerance on the voltage nominal value:  $\pm 10\%$ .

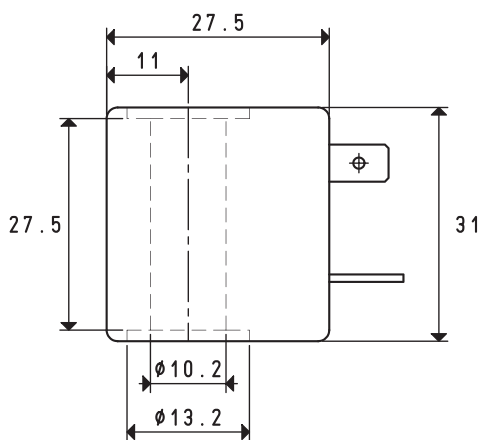
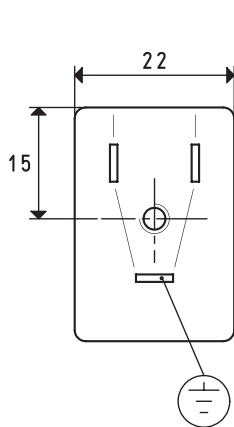
Allowed tolerance on the frequency value:  $\pm 5\%$

Room temperature: from -10 to +45 °C

Fluid temperature: from -10 to +95 °C

Electric absorption: 8 ÷ 16.5 V.A. with AC and 6.5 ÷ 16 W with DC.

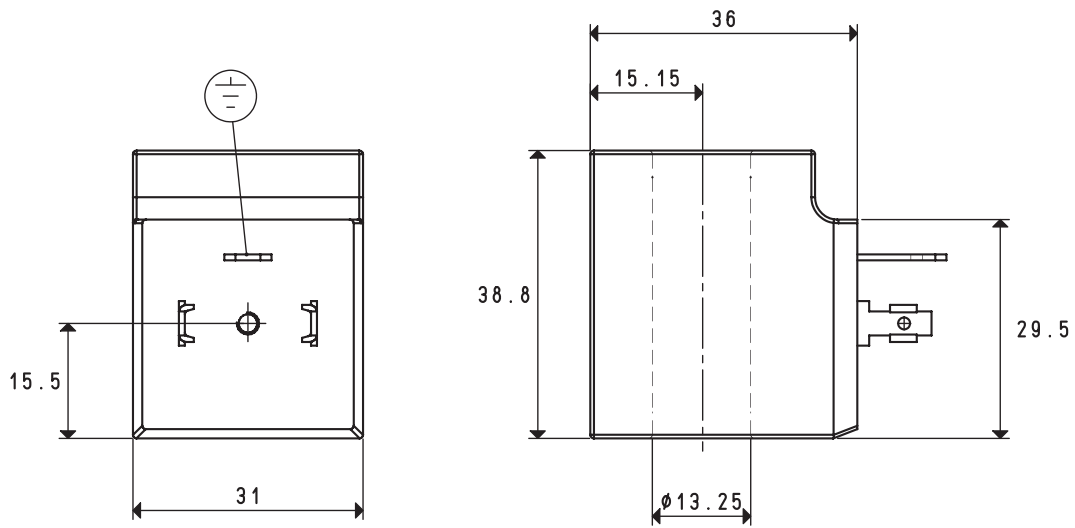
Electric coils can be rotated by 360°.



### AC AND DC COILS

Art.	Duty cycle	Absorption	Nominal voltage	Weight g	Solenoid valves art.
00 07 172	100%	6.5 W	V24 CC	54	07 01 51 - 07 02 51
00 07 173	100%	8 V.A.	V24 / 50 - 60Hz	54	07 01 51 - 07 02 51

# SOLENOID VALVE ACCESSORIES AND SPARE PARTS



## AC AND DC COILS

Art.	Duty cycle	Absorption	Nominal voltage	Weight g
<b>00 07 03 N</b>	100%	16 W	V12 CC	100
<b>00 07 04 N</b>	100%	16 W	V24 CC	100
<b>00 07 05 N</b>	100%	16 W	V48 CC	100
<b>00 07 06 N</b>	100%	16 W	V110 CC	100
<b>Solenoid valves art.</b>				
07 01 11 - 07 02 11 - 07 03 11 - 07 04 11 - 07 05 11 - 07 06 11				
07 01 16 - 07 02 16 - 07 03 16				
07 01 20 - 07 02 20 - 07 03 20				
07 03 40 - 07 04 40 - 07 05 40 - 07 06 40				
07 03 51 - 07 04 51 - 07 05 51 - 07 06 51				
DDN 14				
<b>00 07 256 N</b>	100%	16.5 V.A.	V24/50 - 60 Hz	100
<b>00 07 257 N</b>	100%	16.5 V.A.	V48/50 - 60 Hz	100
<b>00 07 258 N</b>	100%	16.5 V.A.	V110/50 - 60 Hz	100
<b>00 07 259 N</b>	100%	16.5 V.A.	V220/50 - 60 Hz	100
<b>Solenoid valves art.</b>				
07 01 11 - 07 02 11 - 07 03 11 - 07 04 11 - 07 05 11 - 07 06 11				
07 01 16 - 07 02 16 - 07 03 16				
07 01 20 - 07 02 20 - 07 03 20				
07 03 40 - 07 04 40 - 07 05 40 - 07 06 40				
07 03 51 - 07 04 51 - 07 05 51 - 07 06 51				
DDN 14 - DDN 25				

3D drawings available at [www.vuototecnica.net](http://www.vuototecnica.net)