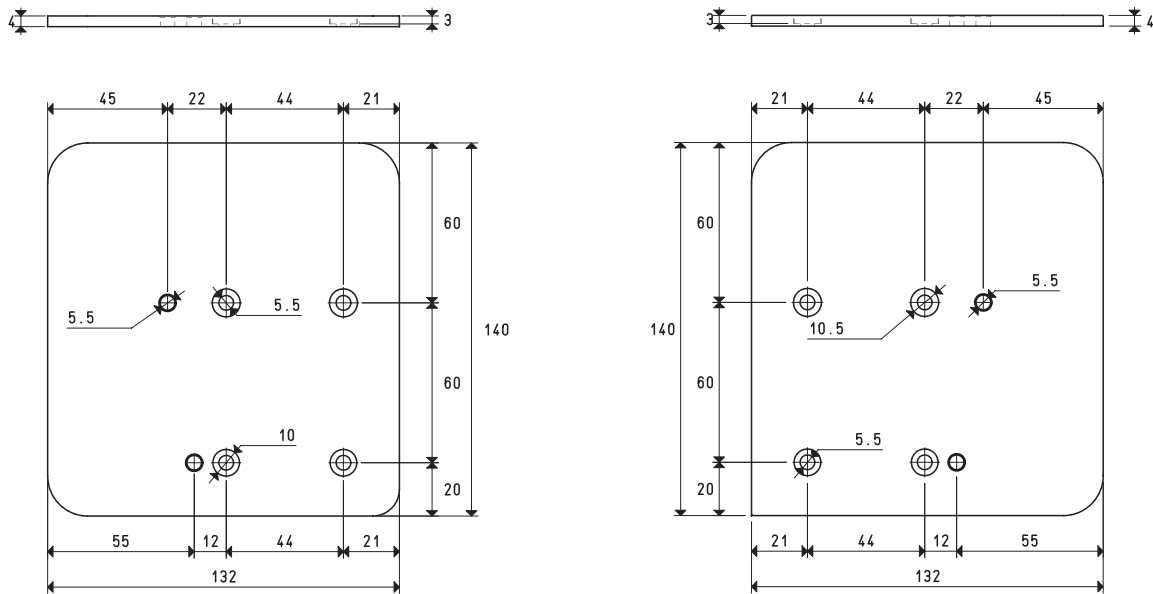


SINGLE-STAGE AND MULTI-FUNCTION VACUUM GENERATORS AVG 18 P and AVG 25 P



Protection devices



8

Art.	Description
00 15 271	Rear shockproof protection

Art.	Description
00 15 272	Front shockproof protection

Note: To order the generator provided with digital vacuum switch, add the letter V to the code (e.g.: AVG 25 P V).

3D drawing available at www.vuototecnica.net

Conversion ratio: inch = $\frac{\text{mm}}{25.4}$; pounds = $\frac{\text{g}}{453.6}$ = $\frac{\text{Kg}}{0.4536}$

8.63



8

