

# VacMotion™

AUTOMATION FOR INDUSTRY

## Short Bellows Cups PBVS Series



### PBVS Series - Level Compensators with Top Barbed Vacuum Connection

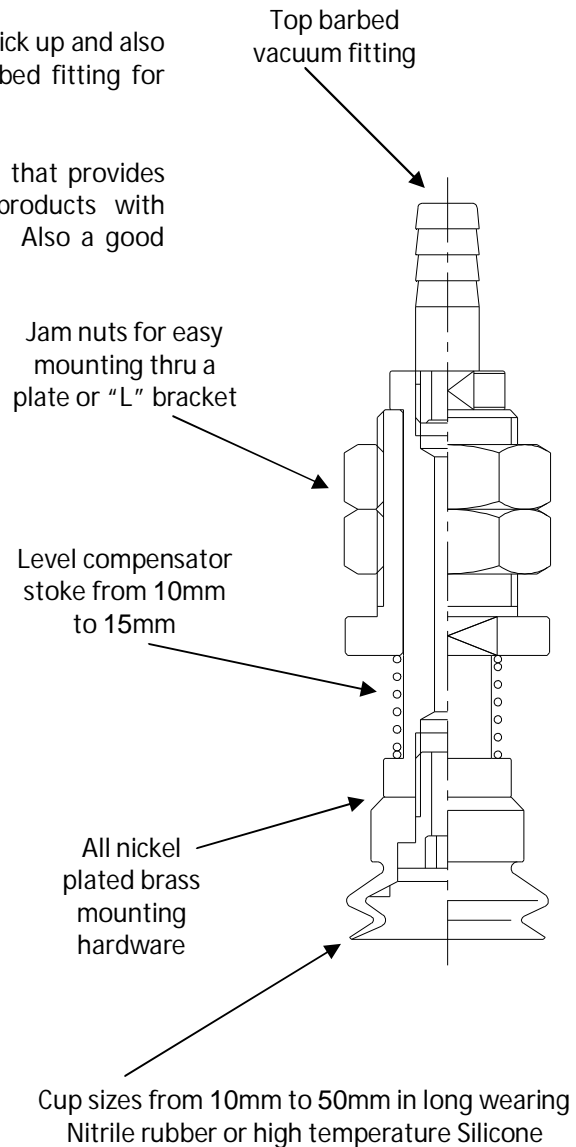
#### Application

Cup assemblies are spring loaded to allow a cushioned pick up and also adjust for different levels. Each model has a top barbed fitting for vacuum tubing. Nickel plated brass materials.

PBVS series short bellows cups have a versatile design that provides increased sealing lip and level compensation for products with irregular, textured, curved surfaces or flexible sheets. Also a good choice for corrugated and smooth surfaces.

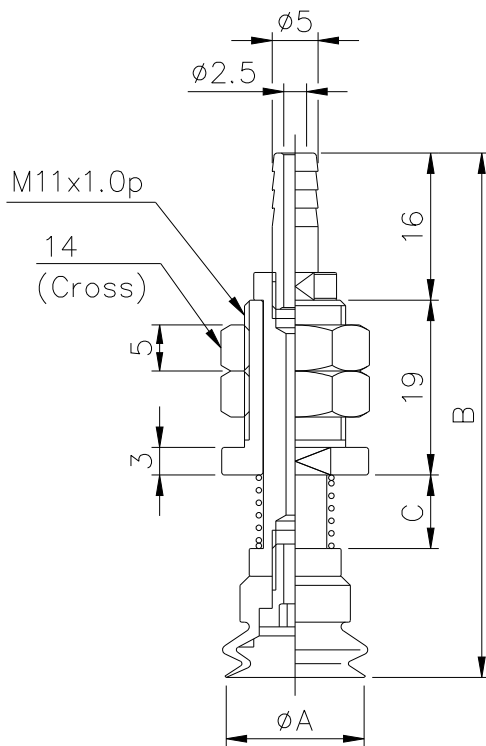
#### Ordering information

Cup Diameter	Nitrile (NBR)	Silicone (SIT)
10	PBVS.10.NBR	PBVS.10.SIT
15	PBVS.15.NBR	PBVS.15.SIT
20	PBVS.20.NBR	PBVS.20.SIT
30	PBVS.30.NBR	PBVS.30.SIT
40	PBVS.40.NBR	PBVS.40.SIT
50	PBVS.50.NBR	PBVS.50.SIT

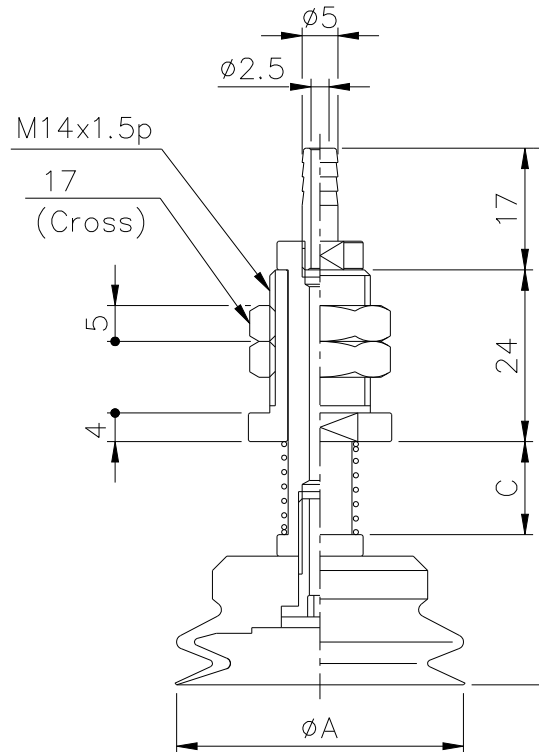


## PBVS Series - Level Compensators with Top Barbed Vacuum Connection

**PBVS-10/15**



**PBVS-20/30/40/50**



Model	Cup Diameter A	Overall Height B	Spring Stroke	Tube Size
PBVS-10	10	67.5	10	6x4
PBVS-15	15	69	10	6x4
PBVS-20	20	82	15	6x4
PBVS-30	30	92	15	6x4
PBVS-40	40	92	15	6x4
PBVS-50	50	94	15	6x4