

Short Bellows Cups PBV Series



PBV Series - Barbed Bulkhead Adapters

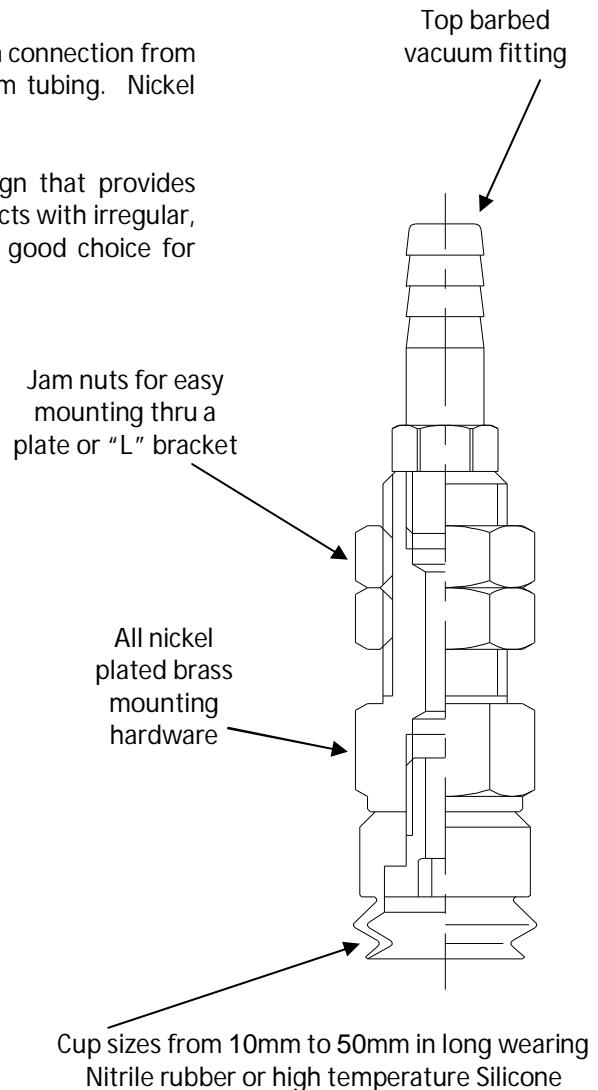
Application

Cups can be secured with jam nuts and allow a vacuum connection from the top. Each model has a barbed fitting for vacuum tubing. Nickel plated brass materials.

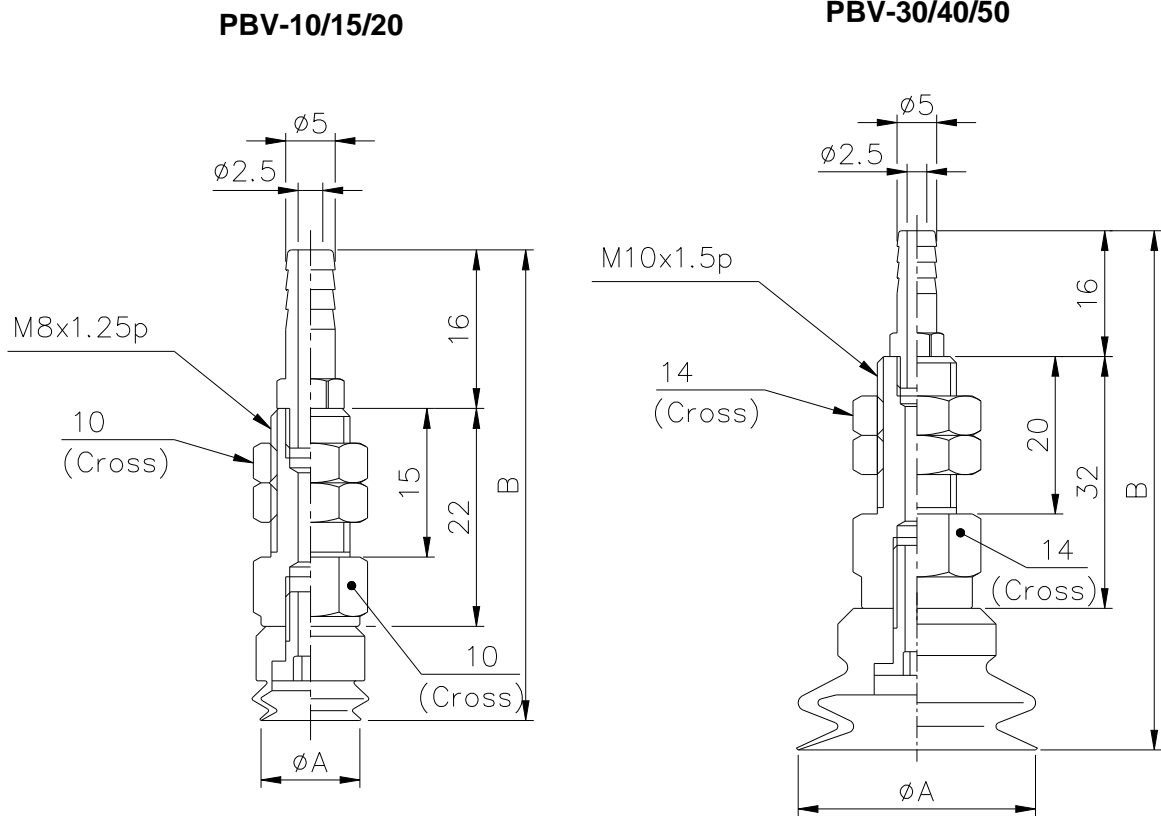
PBV series short bellows cups have a versatile design that provides increased sealing lip and level compensation for products with irregular, textured, curved surfaces or flexible sheets. Also a good choice for corrugated and smooth surfaces.

Ordering information

Cup Diameter	Nitrile (NBR)	Silicone (SIT)
10	PBV.10.NBR	PBV.10.SIT
15	PBV.15.NBR	PBV.15.SIT
20	PBV.20.NBR	PBV.20.SIT
30	PBV.30.NBR	PBV.30.SIT
40	PBV.40.NBR	PBV.40.SIT
50	PBV.50.NBR	PBV.50.SIT



PBV Series - Barbed Bulkhead Adapters



Model	Cup Diameter A	Overall Height B	Tube Size
PBV-10	10	47.5	6x4
PBV-15	15	49	6x4
PBV-20	20	51	6x4
PBV-30	30	66	6x4
PBV-40	40	66	6x4
PBV-50	50	68	6x4