



## PAV Series - Barbed Bulkhead Adapters

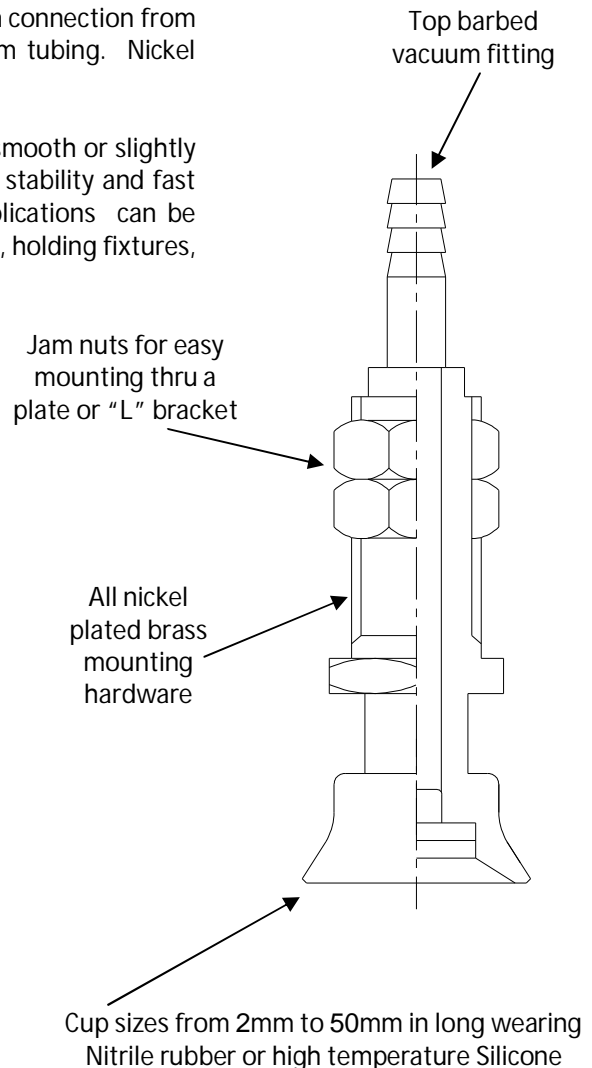
### Application

Cups can be secured with jam nuts and allow a vacuum connection from the top. Each model has a barbed fitting for vacuum tubing. Nickel plated brass materials.

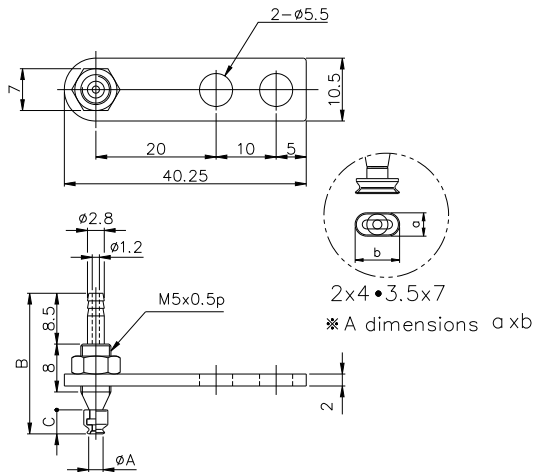
PAV series flat suction cups are ideally suited for any smooth or slightly curved surface or a surface that can benefit from the stability and fast response of the low profile cup design. Typical applications can be sheet metal, semiconductor chips, glass, press transfer, holding fixtures, injection molding, woodworking.

### Ordering information

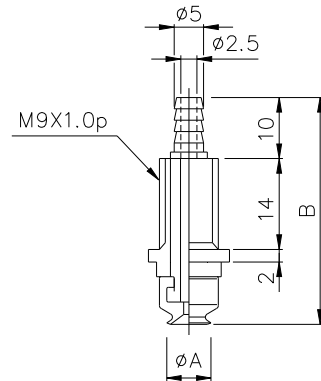
Cup Diameter	Nitrile (NBR)	Silicone (SIT)
2	PAV.2.NBR	PAV.2.SIT
3.5	PAV.3.5.NBR	PAV.3.5.SIT
2x4	PAV.2.4.NBR	PAV.2.4.SIT
3.5x7	PAV.3.5.7.NBR	PAV.3.5.7.SIT
5	PAV.5.NBR	PAV.5.SIT
6	PAV.6.NBR	PAV.6.SIT
8	PAV.8.NBR	PAV.8.SIT
10	PAV.10.NBR	PAV.10.SIT
15	PAV.15.NBR	PAV.15.SIT
20	PAV.20.NBR	PAV.20.SIT
25	PAV.25.NBR	PAV.25.SIT
30	PAV.30.NBR	PAV.30.SIT
35	PAV.35.NBR	PAV.35.SIT
40	PAV.40.NBR	PAV.40.SIT
50	PAV.50.NBR	PAV.50.SIT



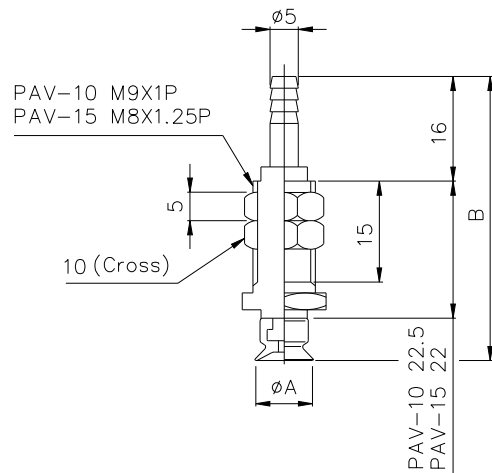
**PAV-2x4, PAV-3.5x7**



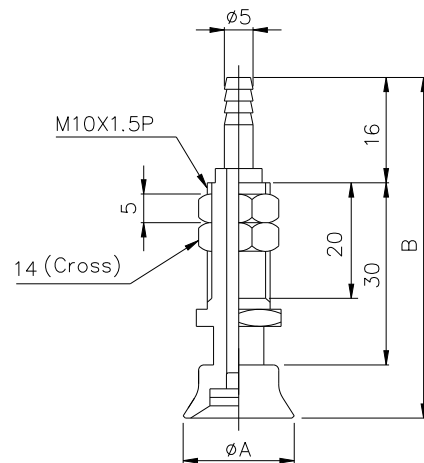
**PAV-5/6/8**



**PAV-10/15**



**PAV-20/25/30/35/40/50**



Model	Cup Diameter A	Overall Height B	C	Tube Size
PAV-2	2	23.5	4	4x2.5
PAV-3.5	3.5	23.5	4	4x2.5
PAV-2x4	2x4	25.5	1.7	4x2.5
PAV-3.5-7	3.5x7	25.5	2.5	4x2.5
PAV-5	5	30.5	-	6x4
PAV-6	6	31	-	6x4
PAV-8	8	31	-	6x4
PAV-10	10	46	-	6x4
PAV-15	15	46	-	6x4
PAV-20	20	56	-	6x4
PAV-25	25	60	-	6x4
PAV-30	30	58	-	6x4
PAV-35	35	60	-	6x4
PAV-40	40	60	-	6x4
PAV-50	50	61	-	6x4