

Flat Cups PAH Series



PAH Series - Side Barbed Connections

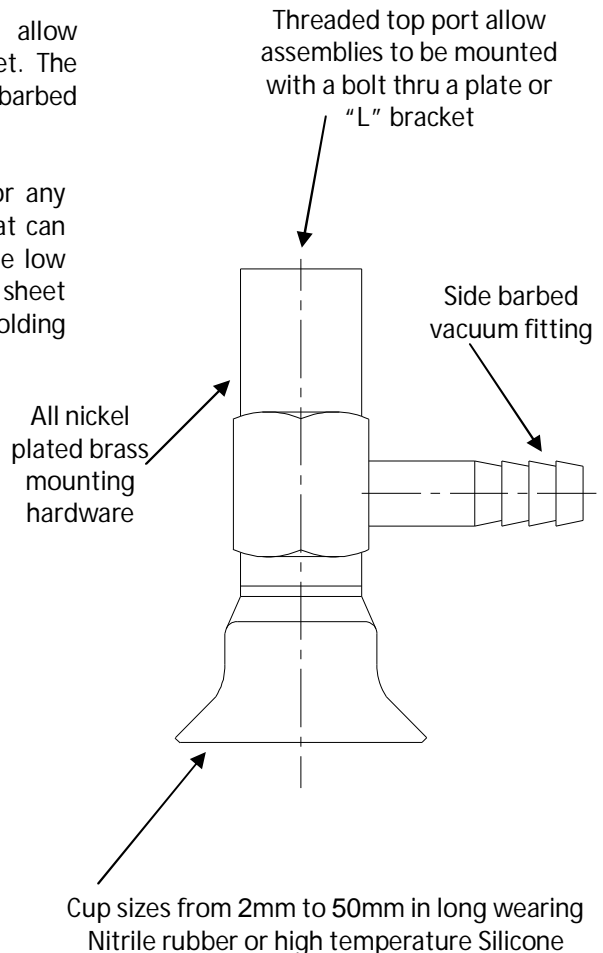
Application

Cup assemblies have a top threaded port to allow mounting with a bolt through a plate or "L" bracket. The vacuum line can then be connected to the side barbed fitting. Nickel plated brass materials.

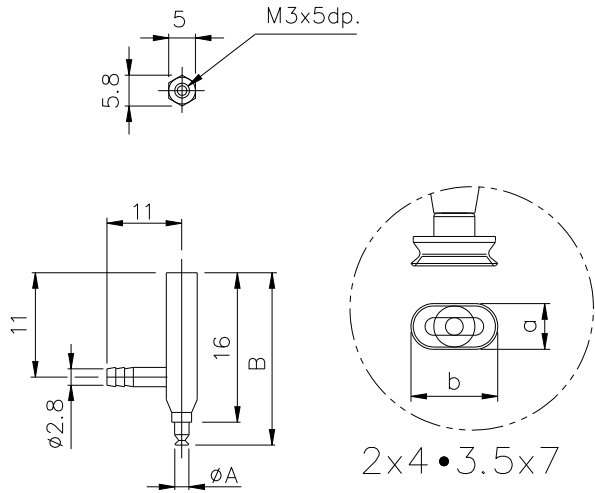
PAH series flat suction cups are ideally suited for any smooth or slightly curved surface or a surface that can benefit from the stability and fast response of the low profile cup design. Typical applications can be sheet metal, semiconductor chips, glass, press transfer, holding fixtures, injection molding, woodworking.

Ordering information

Cup Diameter	Nitrile (NBR)	Silicone (SIT)
2	PAH.2.NBR	PAH.2.SIT
3.5	PAH.3.5.NBR	PAH.3.5.SIT
2x4	PAH.2.4.NBR	PAH.2.4.SIT
3.5x7	PAH.3.5.7.NBR	PAH.3.5.7.SIT
5	PAH.5.NBR	PAH.5.SIT
6	PAH.6.NBR	PAH.6.SIT
8	PAH.8.NBR	PAH.8.SIT
10	PAH.10.NBR	PAH.10.SIT
15	PAH.15.NBR	PAH.15.SIT
20	PAH.20.NBR	PAH.20.SIT
25	PAH.25.NBR	PAH.25.SIT
30	PAH.30.NBR	PAH.30.SIT
35	PAH.35.NBR	PAH.35.SIT
40	PAH.40.NBR	PAH.40.SIT
50	PAH.50.NBR	PAH.50.SIT



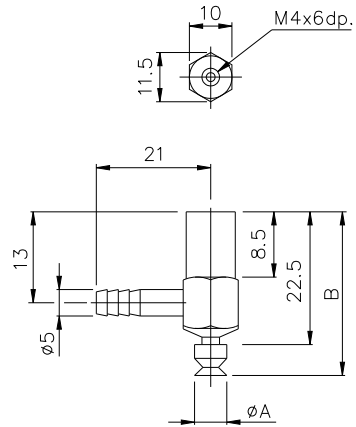
PAH-2x4, PAH-3.5x7



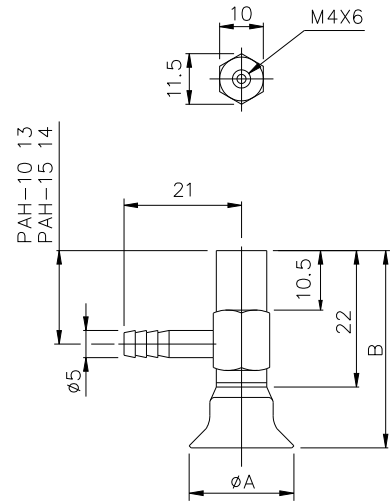
2x4 • 3.5x7

※ A dimensions a x b

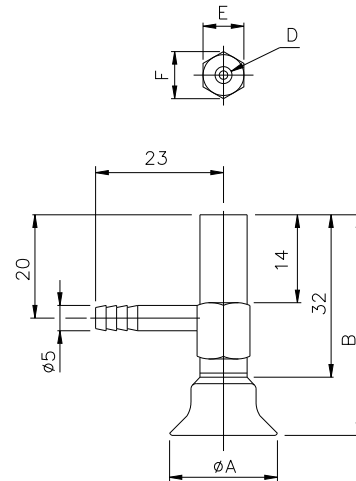
PAH-5/6/8



PAH-10/15



PAH-20/25/30/35/40/50



Model	Cup Diameter A	Overall Height B	D	E	F	Tube Size
PAH-2	2	20	-	-	-	4x2.5
PAH-3.5	3.5	20	-	-	-	4x2.5
PAH-2x4	2x4	22	-	-	-	4x2.5
PAH-3.5-7	3.5x7	22	-	-	-	4x2.5
PAH-5	5	29	-	-	-	6x4
PAH-6	6	29	-	-	-	6x4
PAH-8	8	29.5	-	-	-	6x4
PAH-10	10	30	-	-	-	6x4
PAH-15	15	30	-	-	-	6x4
PAH-20	20	42	M6x18	14	16.5	6x4
PAH-25	25	46	M6x18	14	16.5	6x4
PAH-30	30	44	M6x18	14	16.5	6x4
PAH-35	35	46	M6x18	14	16.5	6x4
PAH-40	40	46	M6x18	14	16.5	6x4
PAH-50	50	47	M6x18	15	17.3	6x4