

MULTI-STAGE VACUUM GENERATORS PVP 25 ÷ 75 MDX

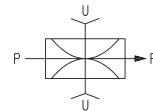
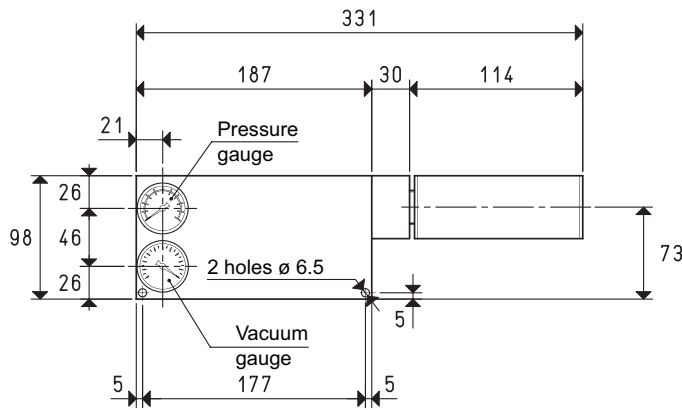
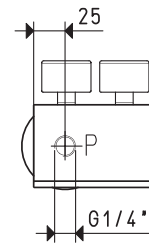
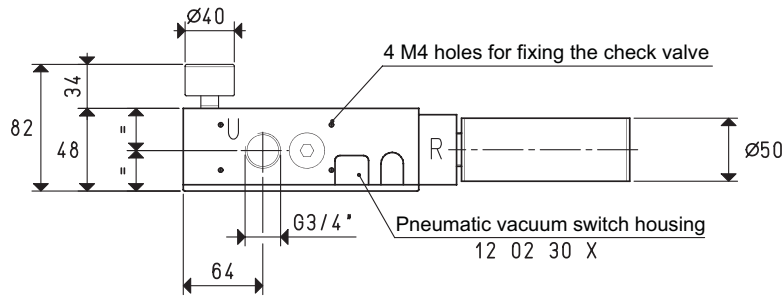
This new range of generators represent the natural evolution of the PVP 25 ÷ 75 MD multiple ejector vacuum generators and they boast an excellent performance. In fact, given the same air consumption values and the same final vacuum level, the maximum suction capacity is increased by 10 ÷ 12% compared to the previous range.

The body and lid are made with anodised aluminium, all the ejectors are made with stainless steel, as well as the fixing screws.

The state of the art seal is in EPDM and is never in contact with the sucked fluid; the reed valves, on the other hand, are made with silicon as a standard and in viton, upon request.

These new devices contain a housing for the installation, upon request, of a pneumatic vacuum switch, that, associated with a pneumatic slide valve and a special check valve, allows making an energy saving device. As a standard, these devices are equipped with a vacuum gauge a pressure gauge, a silencer on the exhaust and a quick coupler for the compressed air supply.

This new range of vacuum generators is perfectly interchangeable with the previous one.



Art.	P=COMPRESSED AIR CONNECTION	R=EXHAUST	U=VACUUM CONNECTION						
			PVP 25 MDX	PVP 35 MDX	PVP 50 MDX	PVP 75 MDX	PVP 100 MDX	PVP 150 MDX	PVP 200 MDX
Max. quantity of sucked air	cum/h	35 39	43	47	52	57	57	62	68
Max. vacuum level	-KPa	65 82	90	65	82	90	65	82	90
Final pressure	mbar abs.	350 180	100	350	180	100	350	180	100
Supply pressure	bar (g)	4 5	6	4	5	6	4	5	6
Air consumption	Nl/s	2.3 2.8	3.2	3.4	4.1	4.8	4.7	5.6	6.5
Working temperature	°C		-20 / +80			-20 / +80			-20 / +80
Noise level	dB(A)		58			58			60
Weight	Kg		1.71			1.73			1.75
Spare parts									
Sealing kit and reed valve	art.		00 KIT PVP 25 MDX			00 KIT PVP 35 MDX			00 KIT PVP 50 MDX
Vacuum gauge	art.		09 03 15			09 03 15			09 03 15
Pressure gauge	art.		09 03 25			09 03 25			09 03 25
Silencer	art.		SSX 3/4"			SSX 3/4"			SSX 3/4"

Note: All the vacuum data indicated in the table are valid at the normal atmospheric pressure of 1013 mbar and are obtained with a constant supply pressure.

8.74

Conversion ratio: inch = $\frac{mm}{25.4}$; pounds = $\frac{g}{453.6} = \frac{Kg}{0.4536}$

GAS-NPT thread adapters available at page 1.117

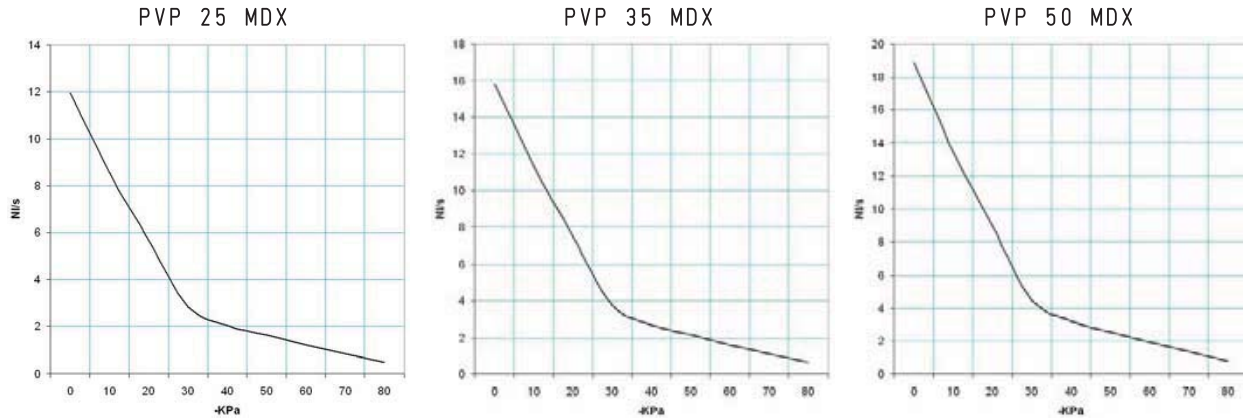


8



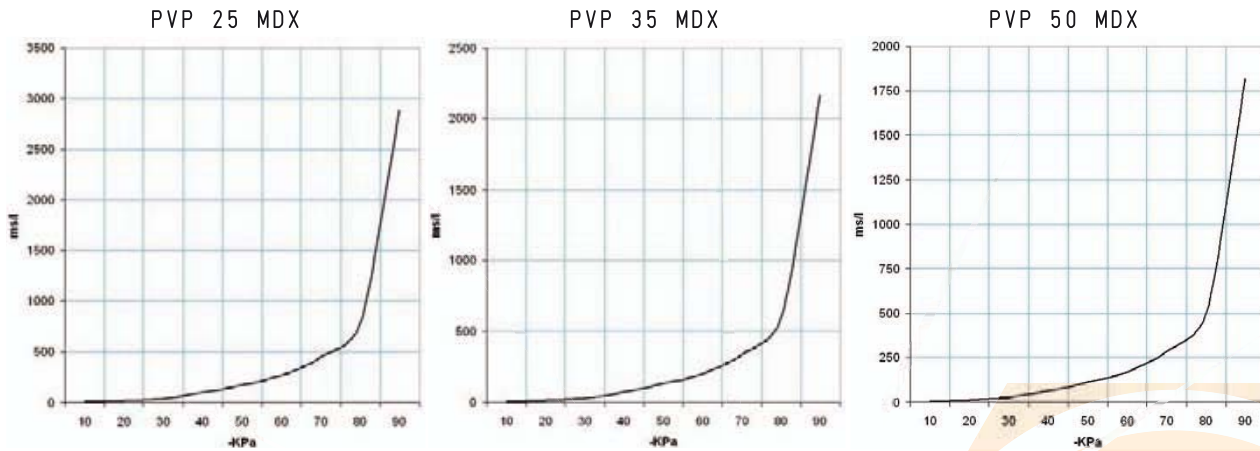
MULTI-STAGE VACUUM GENERATORS PVP 25 MDX, 35 MDX and 50 MDX

Air capacity (NI/s) at different vacuum levels (-Kpa)



Generator art.	Supply press. bar (g)	Air consumption NI/s	Air capacity (NI/s) at different vacuum levels (-KPa)										Max. vacuum level -KPa
			0	10	20	30	40	50	60	70	80		
PVP 25 MDX	6.0	3.2	11.94	8.53	5.68	2.84	2.03	1.62	1.22	0.85	0.48	90	
PVP 35 MDX	6.0	4.8	15.83	11.30	7.53	3.76	2.69	2.15	1.61	1.13	0.64	90	
PVP 50 MDX	6.0	6.5	18.88	13.48	8.99	4.49	3.21	2.56	1.93	1.35	0.77	90	

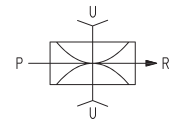
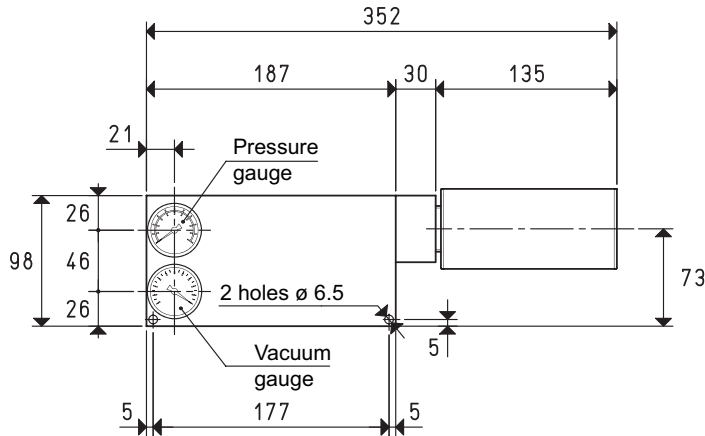
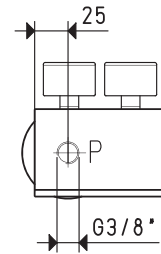
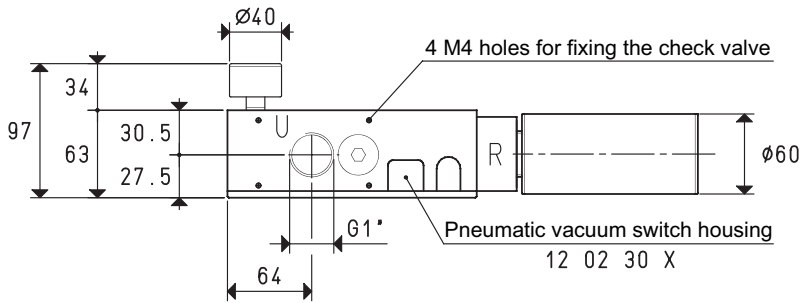
Evacuation time (ms/l=s/m³) at different vacuum levels (-Kpa)



Generator art.	Supply press. bar (g)	Air consumption NI/s	Evacuation time (ms/l = s/m ³) at different vacuum levels (-KPa)										Max. vacuum level -KPa
			10	20	30	40	50	60	70	80	90		
PVP 25 MDX	6.0	3.2	7.5	18.8	41.3	99.3	177.7	271.9	451.4	781.0	2874	90	
PVP 35 MDX	6.0	4.8	5.6	14.1	31.2	74.9	134.0	205.1	340.5	589.1	2618	90	
PVP 50 MDX	6.0	6.5	4.7	11.9	26.2	62.8	112.4	172.0	285.5	494.0	1818	90	



MULTI-STAGE VACUUM GENERATORS PVP 60 MDX and 75 MDX



P=COMPRESSED AIR CONNECTION R=EXHAUST U=VACUUM CONNECTION

Art.				PVP 60 MDX		PVP 75 MDX	
Max. quantity of sucked air	cum/h	75	85	92	85	94	103
Max. vacuum level	-KPa	65	82	90	65	82	90
Final pressure	mbar abs.	350	180	100	350	180	100
Supply pressure	bar (g)	4	5	6	4	5	6
Air consumption	NI/s	5.9	7.0	8.2	7.0	8.4	9.8
Working temperature	°C	-20 / +80				-20 / 80	
Noise level	dB(A)	62				64	
Weight	Kg	1.90				1.92	
Spare parts							
Sealing kit and reed valve	art.	00 KIT PVP 60 MDX				00 KIT PVP 75 MDX	
Vacuum gauge	art.	09 03 15				09 03 15	
Pressure gauge	art.	09 03 25				09 03 25	
Silencer	art.	SSX 1"				SSX 1"	

Note: All the vacuum data indicated in the table are valid at the normal atmospheric pressure of 1013 mbar and are obtained with a constant supply pressure.

8.76

Conversion ratio: inch = $\frac{mm}{25.4}$; pounds = $\frac{g}{453.6} = \frac{Kg}{0.4536}$

GAS-NPT thread adapters available at page 1.117

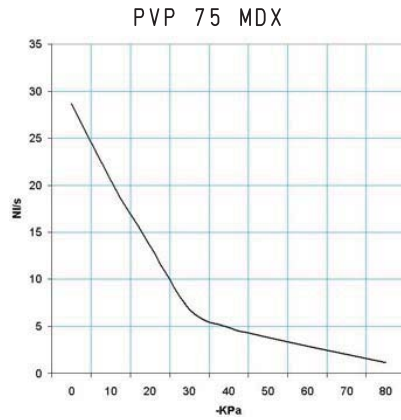
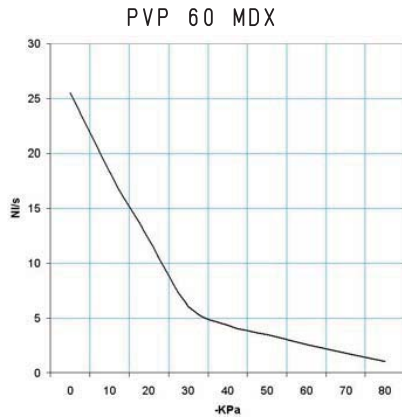


8



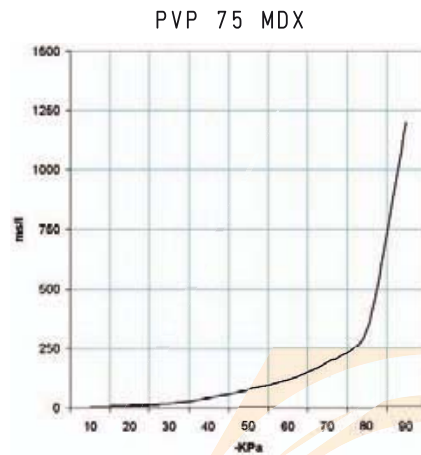
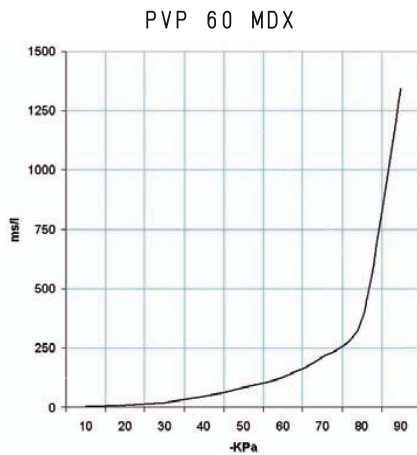
MULTI-STAGE VACUUM GENERATORS PVP 60 MDX and 75 MDX

Air capacity (NI/s) at different vacuum levels (-Kpa)



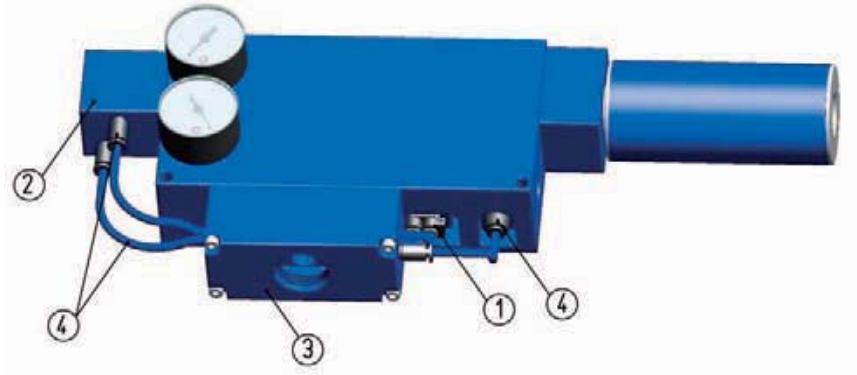
Generator art.	Supply press. bar (g)	Air consumption NI/s	Air capacity (NI/s) at different vacuum levels (-KPa)										Max. vacuum level -KPa
			0	10	20	30	40	50	60	70	80		
PVP 60 MDX	6.0	8.2	25.55	18.25	12.16	6.08	4.34	3.47	2.61	1.82	1.04	90	
PVP 75 MDX	6.0	9.8	28.61	20.43	13.62	6.81	4.86	3.89	2.92	2.04	1.16	90	

Evacuation time (ms/l = s/m³) at different vacuum levels (-Kpa)



Generator art.	Supply press. bar (g)	Air consumption NI/s	Evacuation time (ms/l = s/m ³) at different vacuum levels (-KPa)										Max. vacuum level -KPa
			10	20	30	40	50	60	70	80	90		
PVP 60 MDX	6.0	8.2	3.5	8.8	19.3	46.4	83.0	127.0	211.0	365.0	1343	90	
PVP 75 MDX	6.0	9.8	3.1	7.8	17.2	41.4	74.2	113.5	188.4	326.0	1200	90	

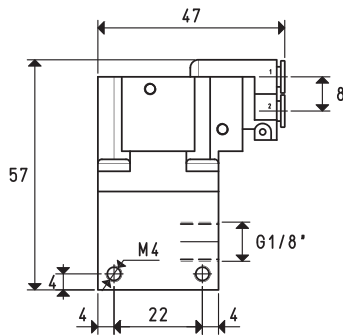




① - MINI PNEUMATIC VACUUM SWITCH

The vacuum switch removes a pneumatic signal as soon as a determined adjustable vacuum level is reached. The pressure differential between the set maximum value and the value of reset of the rest signal cannot be adjusted and it is equal to approximately 100 mbar.

The pneumatic vacuum switch installed on PVP 25 ÷ 75 MDX vacuum generators intervene on the supply slide valve and automatically maintain the maximum and minimum vacuum level within the differential level.

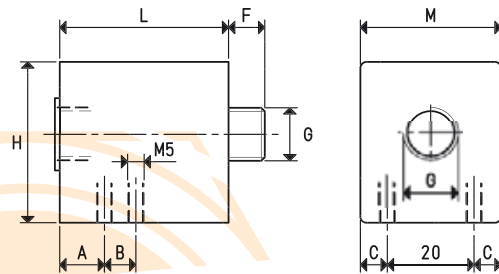


Art.	For generator art.	Weight g
12 02 30 X	PVP 25 ÷ 50 MDX	104
	PVP 60 ÷ 75 MDX	

② - SERVO-CONTROLLED SUPPLY SLIDE VALVE

This valve is provided with slide shutter that, once pneumatically activated by the vacuum switch or by alternative sources intercepts the generator compressed air supply, with pressure ranging from 1.5 and 7 bar (g).

The value is according to the generator supply connection.



3D drawing available at www.vuototecnica.net

Art.	A	B	C	F	G Ø	H	L	M	Weight g	For generator art.
07 01 70	11.5	8.0	7.5	9.5	G1/4"	40	42	35	190	PVP 25 ÷ 50 MDX
07 02 70	13.5	9.5	12.5	9.5	G3/8"	50	51	45	420	PVP 60 ÷ 75 MDX

8.78

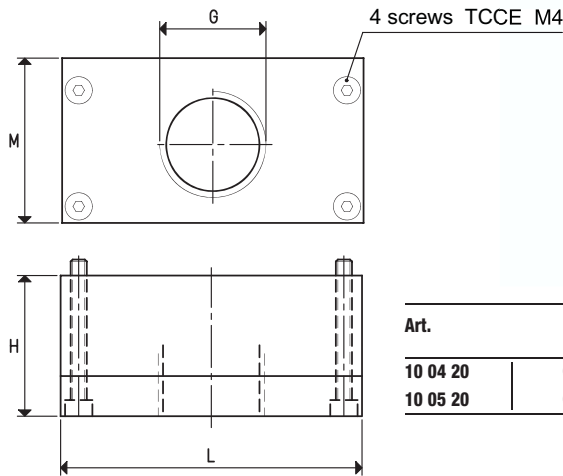
Conversion ratio: inch = $\frac{\text{mm}}{25.4}$, pounds = $\frac{\text{g}}{453.6}$ = $\frac{\text{Kg}}{0.4536}$

GAS-NPT thread adapters available at page 1.117



③ - MEMBRANE CHECK VALVE

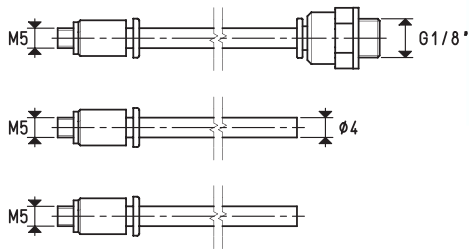
This check valve has been specially designed for PVP 25 ÷ 75 MDX vacuum generators. Its distinctive feature, along with its shape, is its membrane check valve that guarantees minimal load loss, quick intervention and perfect sealing.



Art.	G Ø	H	L	M	Weight g	For generator art.
10 04 20	G3/4"	35	75	41	165	PVP 25 ÷ 50 MDX
10 05 20	G1"	48	113	58	458	PVP 60 ÷ 75 MDX

④ - HOSE KIT WITH FITTINGS

This hose kit is for connecting the vacuum switch to the supply slide valve and to the membrane check valve. On the hose ends are installed the special quick couplers to screw onto the valve and vacuum switch connections.



Art.	For generator art.	Weight g
00 15 308	PVP 25 ÷ 50 MDX PVP 60 ÷ 75 MDX	16

COMPLETE ES ENERGY SAVING
DEVICE KIT



Art.	For generator art.	Weight g
ES 01	PVP 25 ÷ 50 MDX	475
ES 02	PVP 60 ÷ 75 MDX	998

Note: To order multi-stage vacuum generators with energy-saving device, add the letters ES to the code (E.g.: PVP 25 MDX ES).

Conversion ratio: inch = $\frac{\text{mm}}{25.4}$; pounds = $\frac{\text{g}}{453.6}$; Kg = 0.4536

GAS-NPT thread adapters available at page 1.117

8.79

